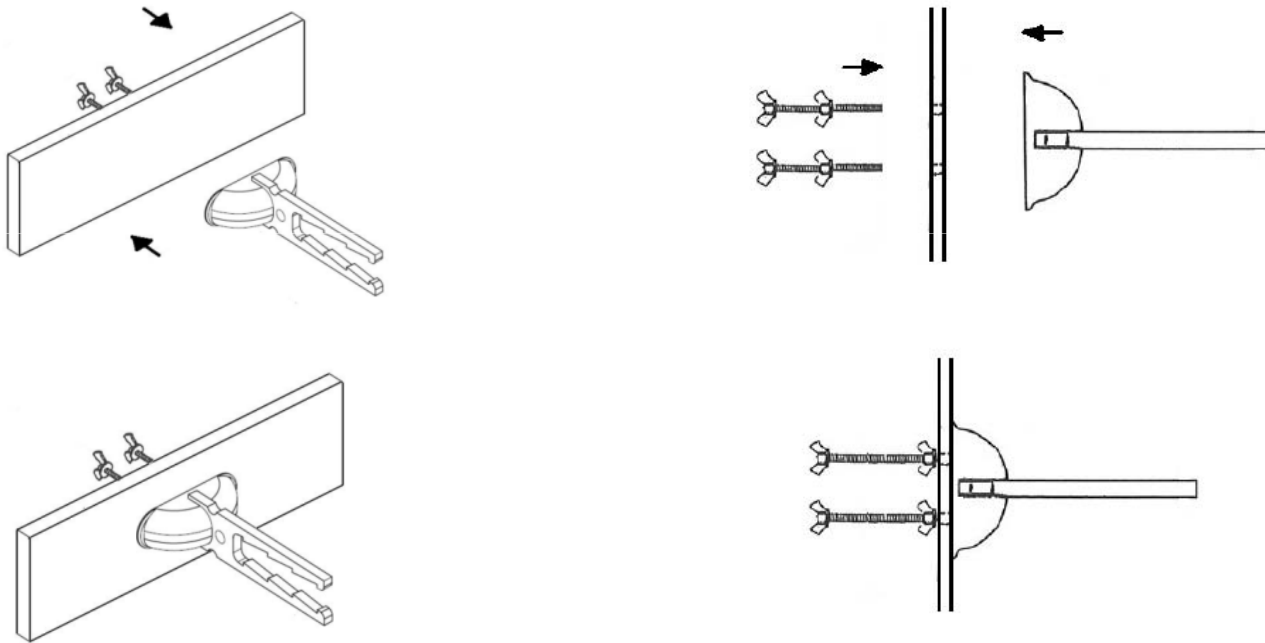


Anchor Installation

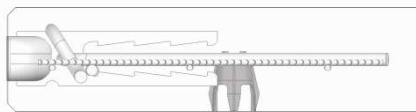
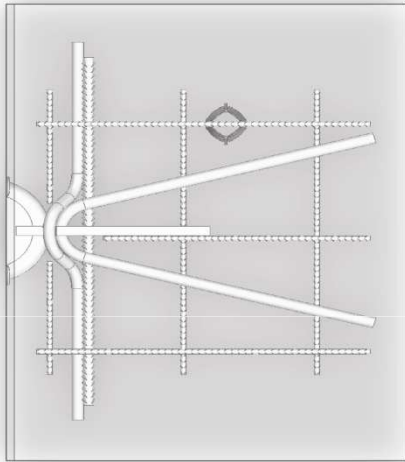
Setting Bolts



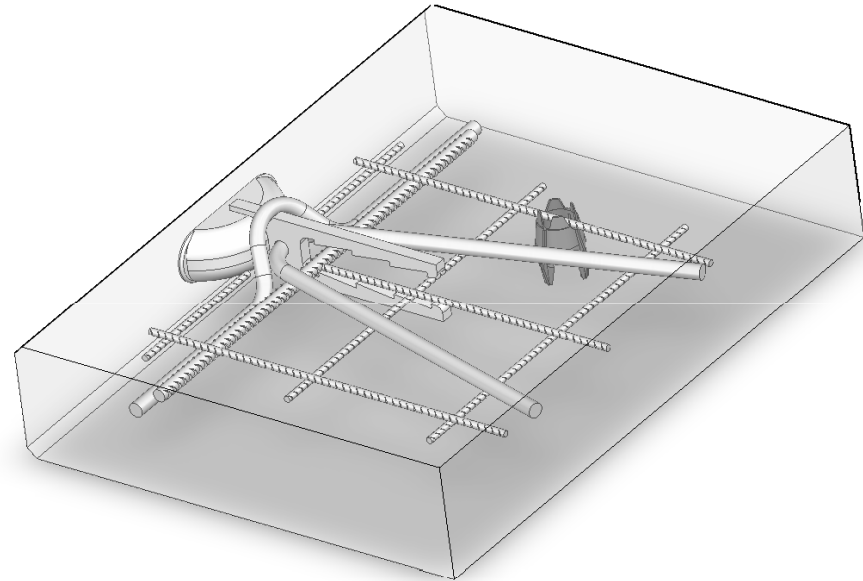
- Secure anchor and void assembly to the sideform with 2 setting bolts.

Anchor Installation

Shear Bar and Tension Bar installation



- For JAWS ULTRA and Two Hole Anchor, install Tension Bar and use tie wire to secure into position.

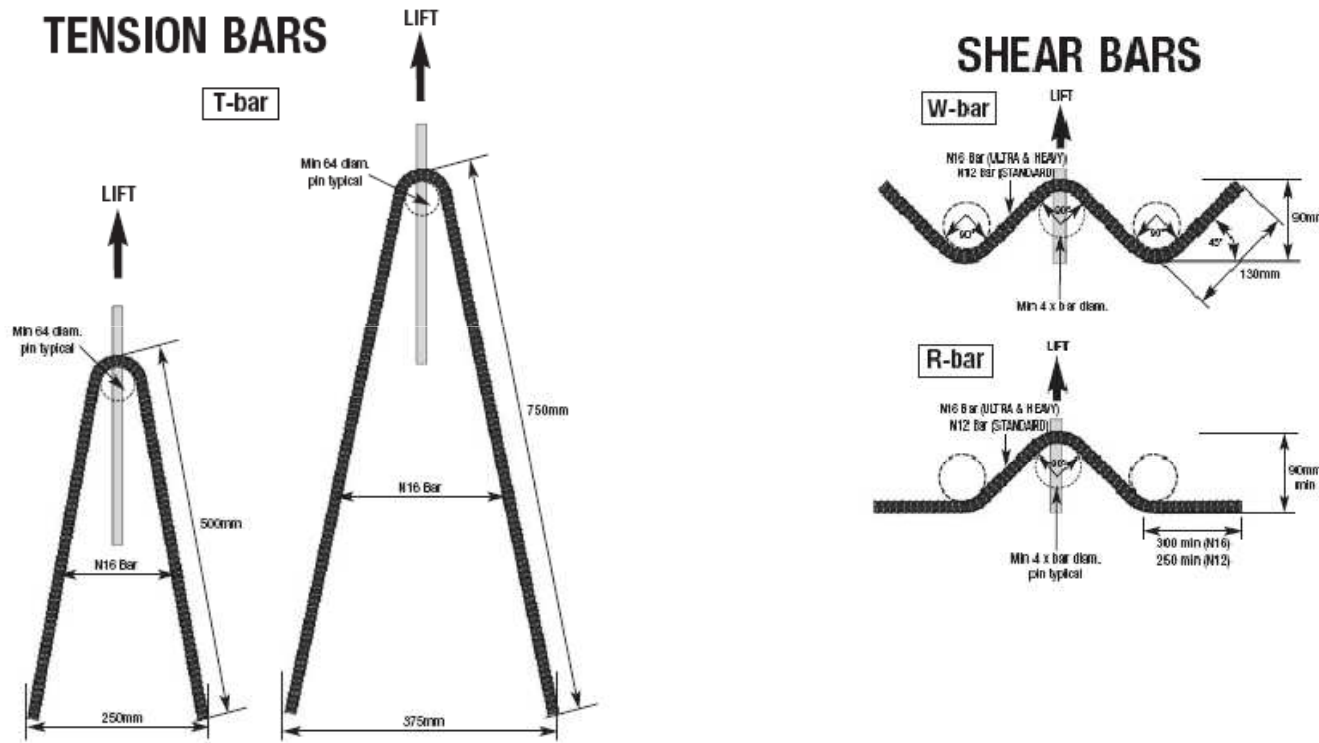


- Install Shear Bar and use tie wire to secure anchor, void, mesh and shear bar into position.



DO NOT WELD TO ANCHOR

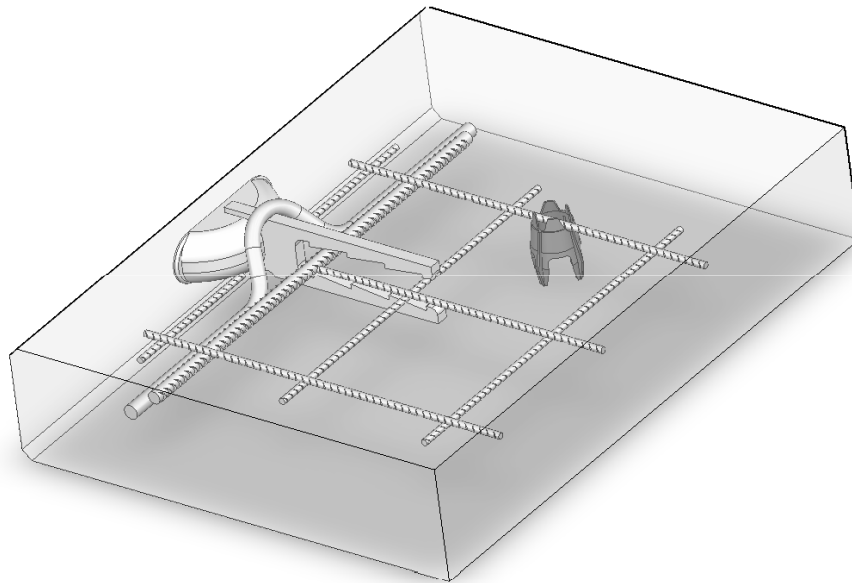
Anchor Installation



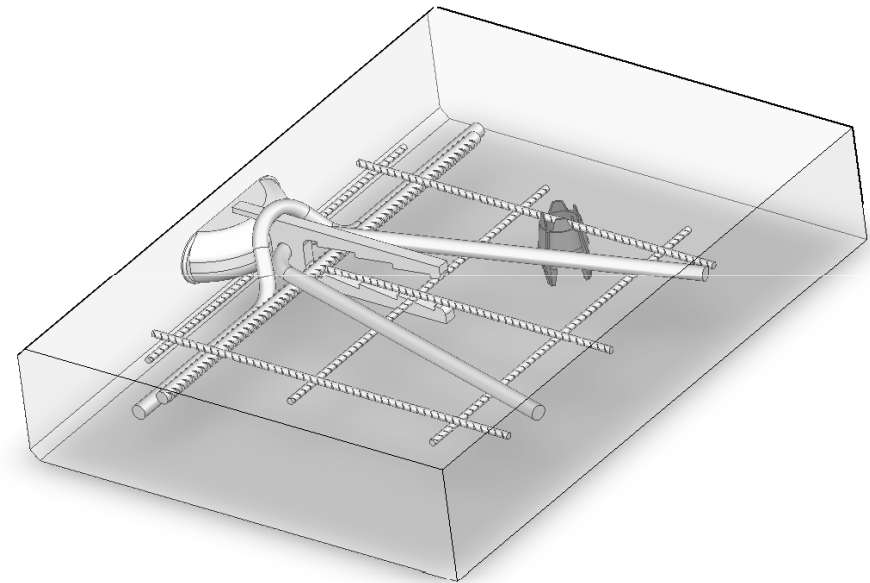
- Tension Bars – used to achieve higher capacity for the JAWS™ ULTRA - if needed.
- Shear Bars – always used to achieve the rated shear capacity of all JAWS™

Anchor Installation

Final Set-up position



- Set-up for
 - ✓ JAWS Standard – SJS
 - ✓ JAWS Heavy - SJH



- Set-up for
 - ✓ JAWS Ultra – SJU